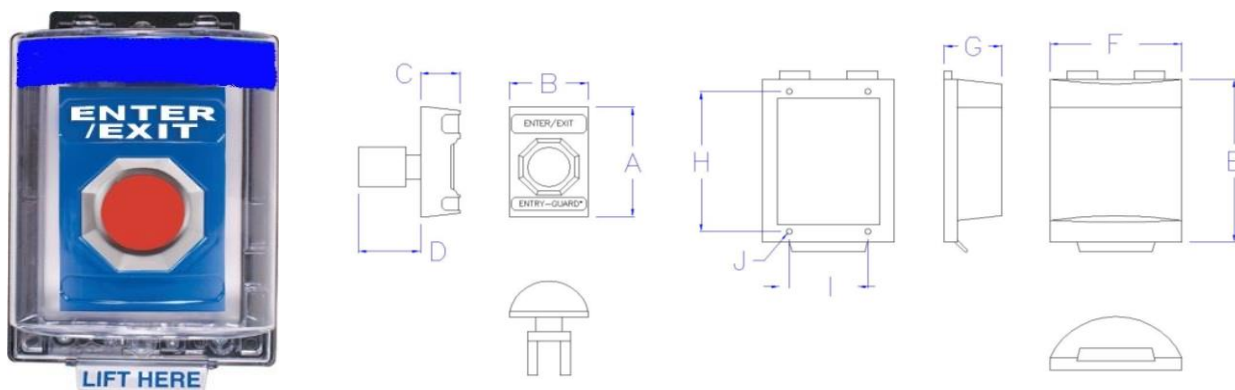


ENTRY-GUARD™ (P/N: ETG-RE-FC)

Entry-Guard™ request to enter/exit switch with polymer weatherproof cover. Blue housing with flush mounted piezo momentary push button. Features one normally open contact and one normally closed contact.



- Allows for temporary bypass entry or exit through a safety interlocked door
- Clear cover helps protect against accidental activation
- Light weight, impact resistant polymer housing

Specifications		
Outside Dimensions	A = Height: 4.87" [124mm]	E = 6.80" [172mm]
	B = Width: 3.25" [82mm]	F = 5.40" [137mm]
	C = Depth: 1.62" [41mm]	G = 2.80" [71mm]
	D = Depth: 2.25" [57.1mm]	
Mounting Pattern	H = Height: 6.25" [158.7mm]	
	I = Width: 3.25" [82.5mm]	
	J = Diameter: 0.28" [7.1mm]	
Rated Voltage	250 VDC / 600 VAC	
Rated Current	1 amp (DC) / 6 amps (AC)	
Weight	1.75 lbs [0.79 kgs]	
	Single gang outlet box compatible	

KENTEK CORPORATION 32 Broadway • Pittsfield, NH 03263 USA

Tel: 1 800-432-2323 Fax: 1 603-435-7441 Web: kenteklaserstore.com Email: info@kenteklaserstore.com