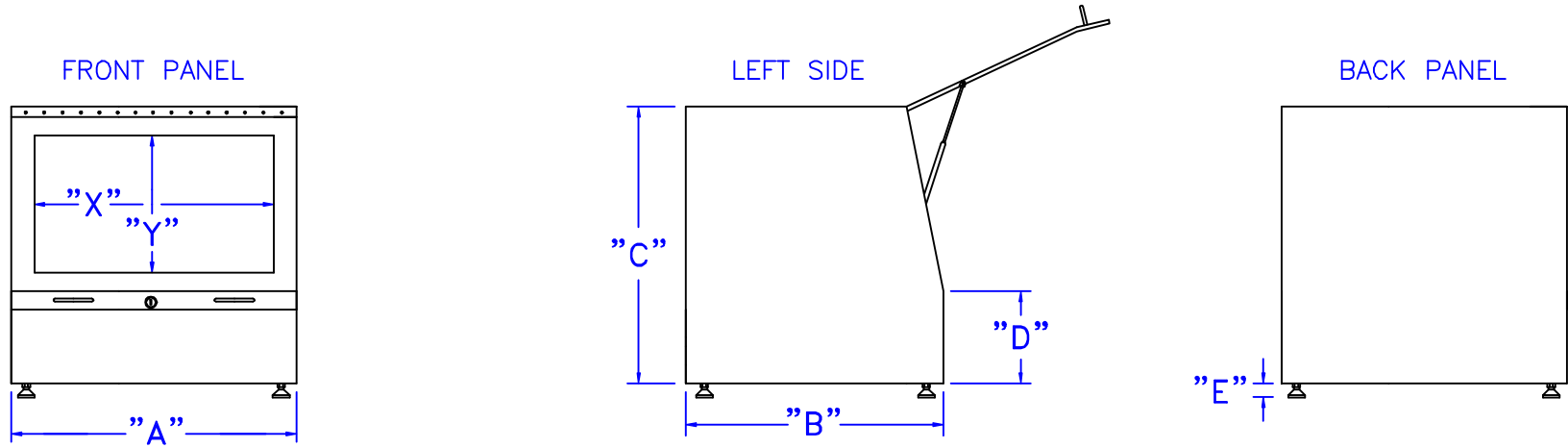


COMPANY: \_\_\_\_\_  
 CONTACT: \_\_\_\_\_  
 PHONE: \_\_\_\_\_  
 DATE: \_\_\_\_\_

KENTEK PHONE #: 800-432-2323  
 KENTEK FAX #: 603-435-7441  
 KENTEK WEB SITE: www.kentek.com  
 KENTEK EMAIL: info@kentek-laser.com



LASER APPLICATION: \_\_\_\_\_

WAVELENGTH: \_\_\_\_\_

OUTPUT POWER: \_\_\_\_\_

LENGTH "A": \_\_\_\_\_

DEPTH "B": \_\_\_\_\_

HEIGHT "C": \_\_\_\_\_

THRESHOLD HEIGHT "D": \_\_\_\_\_

FOOTPAD HEIGHT "E": \_\_\_\_\_

WINDOW LENGTH "X": \_\_\_\_\_

WINDOW HEIGHT "Y": \_\_\_\_\_

WINDOW THICKNESS: \_\_\_\_\_

COLOR: \_\_\_\_\_ INSIDE \_\_\_\_\_ OUTSIDE

OPTIONS: \_\_\_\_\_

INTERLOCK	YES	NO
INTERIOR LIGHT	YES	NO
INTERNAL SHELF	YES	NO
E-STOP SWITCH	YES	NO
EMISSION LIGHT	YES	NO
EXHAUST DUCT	YES	NO
FAN	YES	NO



ANY AND ALL INFORMATION ON THIS DRAWING IS THE PROPERTY OF THE KENTEK CORPORATION AND IS NOT TO BE USED OR DISCLOSED WITHOUT WRITTEN PERMISSION.

DESIGN SHEET: DS-ENCLOSURE

PRODUCT: ENCLOSURE